

HYDRAULIC HAND PUMPS



W Single acting



X Double acting

- ✓ W series pumps are for use with Single Acting cylinders.
- ✓ X series pumps are fitted with 4-way 3 position valve for use with Double Acting cylinders.
- ✓ The pump range includes single and two speed models. Two speed models provide rapid cylinder advance until contact is made with the load.
- ✓ Hydraulic port on all models is 3/8"-NPT female.
- ✓ W and X series pumps are fitted with internal safety valves to prevent overpressure.
- ✓ WP21007 and XP21007 models are foot pedal operated.
- ✓ All pumps except W00307 are fitted with handle clips for ease of carrying.

SINGLE ACTING

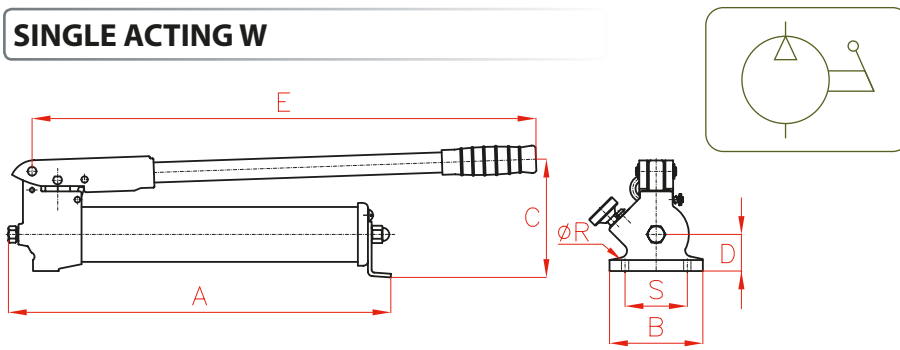
Model	Speeds	Usable oil	Handle effort
LARZEP	No.	cm ³	kg
W00307	1	240	51
W10707	1	660	49
W20707	2	660	49
WP21007	2	1.000	43
W11207	1	1.200	49
W21207	2	1.200	49
W22307	2	2.400	49
W24307	2	4.200	49
W07807	2	7.500	41

DOUBLE ACTING

Model	Speeds	Usable oil	Handle effort
LARZEP	No.	cm ³	kg
XP21007	2	1.000	43
X22307	2	2.400	49
X24307	2	4.200	49
X07807	2	7.500	41



SINGLE ACTING W

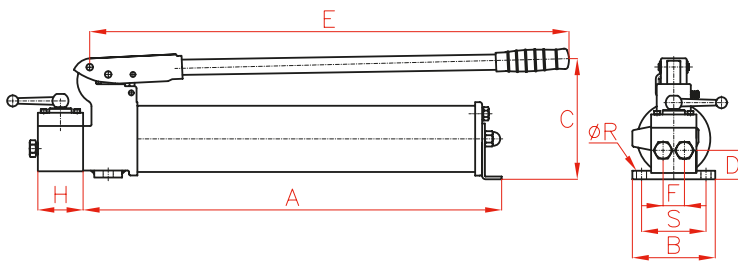


Type **W - X**

Capacity **0,24 - 7,5 litres**

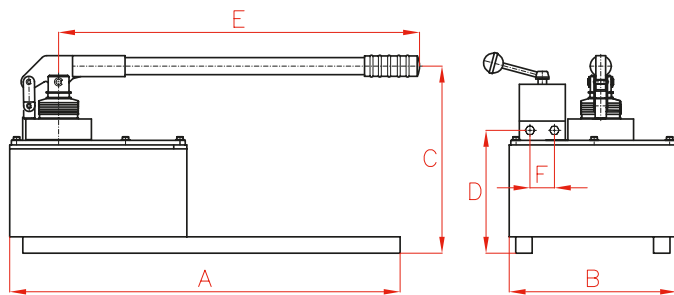
Max. pressure **700 bar**

DOUBLE ACTING X



WP21007 pump, foot pedal operated.

W07807 / X07807



W07807, X07807 pumps.

	Oil displacement per stroke (cm ³)		Pressure rating (bar)		A	B	C	D	E	R	S	Weight	Model
	1 st Stage	2 nd Stage	1 st Stage	2 nd Stage	mm	mm	mm	mm	mm	mm	mm		
	-	2,2	-	700	350	100	110	25	380	-	-	2,7	W00307
	-	2,6	-	700	500	100	150	40	560	-	-	5,5	W10707
	8,1	2,0	20	700	500	100	150	40	560	-	-	5,5	W20707
	12,0	2,0	50	700	582	189	445*	52	540	9	185	9,0	WP21007
	-	2,6	-	700	545	100	175	40	560	-	-	6,5	W11207
	8,1	2,0	20	700	545	100	175	40	560	-	-	6,5	W21207
	13,2	2,2	20	700	560	108	210	55	560	8,5	86	12,0	W22307
	16,5	2,8	20	700	570	108	210	75	560	8,5	86	20,0	W24307
	120,0	4,6	10	700	610	242	250	232	643	-	-	30,0	W07807

* with the pedal completely open

	Oil displacement per stroke (cm ³)		Pressure rating (bar)		A	B	C	D	E	F	H	R	S	Weight	Model
	1 st Stage	2 nd Stage	1 st Stage	2 nd Stage	mm	mm	mm	mm	mm	mm	mm	mm	mm		
	12,0	2,0	50	700	550	197	445*	52	540	-	-	9	185	9,0	XP21007
	13,2	2,2	20	700	560	108	210	55	560	40	50	8,5	86	14	X22307
	16,5	2,8	20	700	570	108	210	75	560	40	50	8,5	86	23	X24307
	120,0	4,6	10	700	610	242	250	232	643	30	-	-	-	32	X07807